

**ILLUSTRATED PARTS LIST**

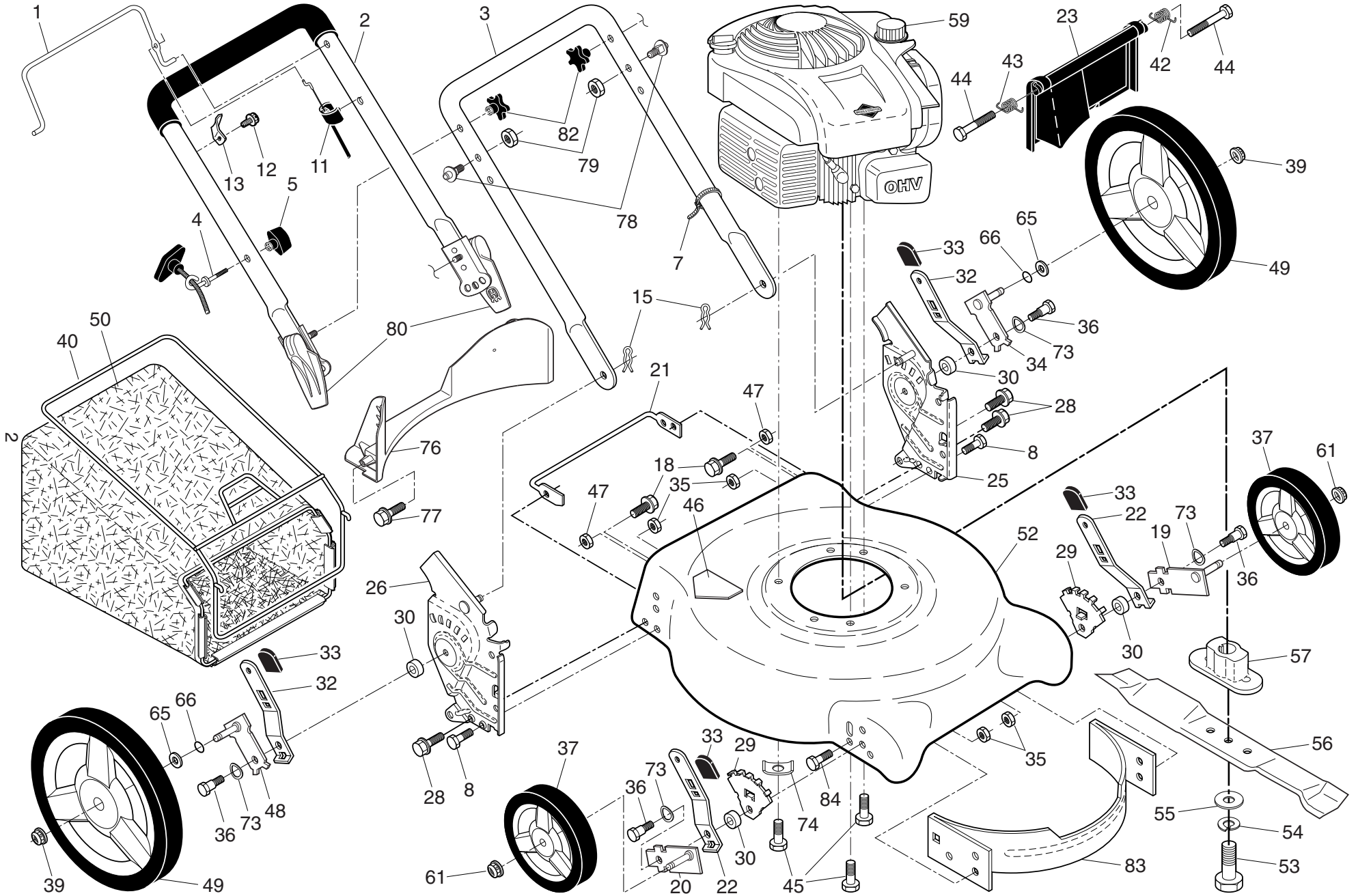
**BRAND: HUSQVARNA**

**ROTARY LAWN MOWER**

**MODEL NUMBER: LC 153**

**MFG. ID. NUMBER: 96131003700**

# HUSQVARNA ROTARY LAWN MOWER - MODEL NUMBER LC 153 (MFG. ID. NUMBER 96131003700)



# HUSQVARNA ROTARY LAWN MOWER - MODEL NUMBER LC 153 (MFG. ID. NUMBER 96131003700)

KEY NO.	PART NO.	DESCRIPTION	KEY NO.	PART NO.	DESCRIPTION
1	580 84 91-02	Control Bar	45	532 15 04-06	Hex Head Thread Rolling Screw 3/8-16 x 1
2	583 84 86-03	Upper Handle Assembly (Includes Foam Grip and Quick Release Assembly)	46	532 18 21-66	Danger Decal
3	532 43 97-19	Lower Handle	47	532 75 11-53	Nut, Hex
4	581 90 21-01	Rope Guide	48	532 41 06-01	Axle Arm Assembly, Rear, RH
5	581 91 26-01	T-Knob	49	580 33 45-01	Wheel & Tire Assembly, Rear 12 x 1-3/4
7	532 06 64-26	Wire Tie	50	581 00 21-04	Grassbag
8	874 78 05-12	Hex Bolt 5/16-18 x 3/4	52	532 44 19-82	Kit, Lawn Mower Housing (Includes Key Number 46)
11	532 41 53-50	Engine Zone Control Cable	53	532 85 10-84	Hex Head Screw 3/8-24 x 1-3/8 Grade 8
12	532 17 88-48	Hex Washer Head Screw #10-16 x 5/8	54	532 85 02-63	Helical Lockwasher
13	532 43 00-34	Up-Stop Bracket	55	532 85 10-74	Hardened Washer
15	532 05 17-93	Hairpin Cotter	56	532 19 93-77	21" Blade
18	817 60 04-06	Screw 1/4-20 x 3/8	57	581 54 79-01	Blade Adapter
19	532 40 66-89	Axle Arm Assembly, Front, LH	59	- - -	Engine, Briggs & Stratton, Model Number 93J02-0054-H1 (Order parts from B&S)
20	532 40 66-90	Axle Arm Assembly, Front, RH	61	532 40 91-48	Nut, Hex, Flangelock
21	532 43 61-19	Footguard	65	532 08 83-48	Washer, Flat
22	532 40 64-28	Selector Spring, Front	66	532 19 74-80	O-Ring
23	581 42 56-01	Rear Door Assembly	73	532 40 16-30	Washer, Curved
25	580 91 56-03	Handle Bracket Assembly, LH	74	532 12 50-78	Washer, Engine
26	580 91 57-03	Handle Bracket Assembly, RH	76	532 41 05-89	Baffle, Rear
28	817 06 04-10	Screw	77	817 41 13-12	Screw, Rear Baffle
29	532 41 05-94	Wheel Adjusting Bracket, Front	78	532 19 92-55	Stud
30	532 40 16-29	Spacer	79	532 75 11-53	Nut, Hex
32	532 44 15-59	Spring, Selector, Rear	80	<b>532 43 06-79</b>	Quick-Release Assembly
33	532 70 10-37	Selector Knob	82	532 18 23-98	Knob, Handle, Star
34	532 41 06-00	Axle Arm Assembly, Rear, LH	83	532 42 85-01	Baffle, Front
35	532 42 65-89	Locknut, Hex 5/16-18	84	817 00 05-10	Screw, Hex Head 5/16-18
36	532 40 16-38	Shoulder Bolt 5/16-18	--	581 00 67-04	Bag of Parts (Includes Key Numbers 78 and 79)
37	532 41 31-83	Wheel & Tire Assembly, Front 8 x 1-3/4	--	532 18 21-91	Warning Decal (not shown)
39	532 40 91-49	Nut, Hex, Flangelock	--	115 72 80-20	Operator's Manual, European
40	532 41 19-49	Frame, Grassbag	--	115 72 80-10	Operator's Manual, Scandinavian
42	532 40 54-21	Spring, Rear Door, LH	--	115 72 80-50	Operator's Manual, East Bloc
43	532 40 54-23	Spring, Rear Door, RH	--	115 72 80-40	Operator's Manual, Baltic
44	532 18 41-93	Bolt, Rear Door			

3

**NOTE:** All component dimensions given in U.S. inches. 1 inch = 25.4 mm. **IMPORTANT:** Use only Original Equipment Manufacturer (O.E.M.) replacement parts. Failure to do so could be hazardous, damage your lawn mower and void your warranty.